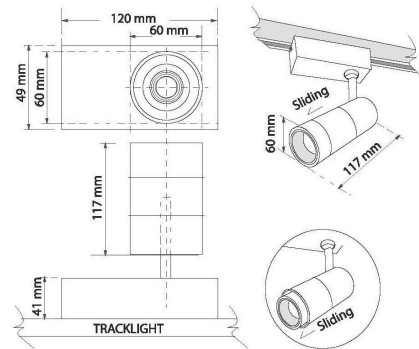


Product Images



Specification Details

PRODUCT	: Tracklight L68 LED Warmwhite 12W Adjustable
BRAND	: LAMP & LIGHT
DESCRIPTION	: Tracklights
DIMENSION	: L60 x W60 x H117 mm + Cable Length N/A mm
LAMP TYPE	: LED Built-in x 1 pcs (Maximum : 12W)
COLOR	: White
MATERIAL	: Powder Coated Aluminum
WEIGHT	: 0.3 kg
IP RATING	: IP 20
INSTALLATION	: In Track
CUT OUT SIZE	: -

Light Source Info

LIGHT COLOR CCT	: 3000K
POWER (WATT)	: 12
LUMEN	: 1200
BEAM ANGLE	: 24 D
CRI	: > 90
INPUT VOLTAGE	: AC 220V
POWER FACTOR	: 0.5
AVG. LIFE TIME	: 25,000 Hrs
DIMMABLE	: Non-Dimmable
CONTROL GEAR	: Driver Included

REMARK : Can Adjust Beam Angle By Turning The Lense For Wider Or Narrower Beam

LAMP & LIGHT

Head Office : 2 Bangbon 4 Road, Soi 8, Bangbon, Bangkok, Thailand 10150

Tel. : 098-257-5229, Line ID : @Lampandlight, www.lampandlight.com