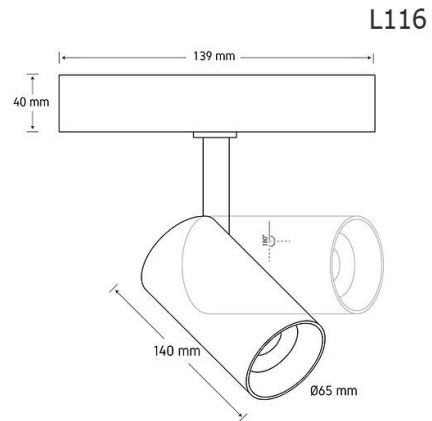


**Product Images**



**Specification Details**

PRODUCT	: Tracklight L116 LED Coolwhite 20W
BRAND	: LAMP & LIGHT
DESCRIPTION	: Tracklights
DIMENSION	: L65 x W65 x H140 mm + Cable Length N/A mm
LAMP TYPE	: LED Built-in x 1 pcs
COLOR	: Black
MATERIAL	: Powder Coated Aluminum
WEIGHT	: 0.512 kg
IP RATING	: IP 20
INSTALLATION	: In Track
CUT OUT SIZE	: -

**Light Source Info**

LIGHT COLOR CCT	: 4000K
POWER (WATT)	: 20
LUMEN	: 2000
BEAM ANGLE	: 24 D
CRI	: > 90
INPUT VOLTAGE	: AC 220V
POWER FACTOR	: 0.9
AVG. LIFE TIME	: 40,000 Hrs
DIMMABLE	: Non-Dimmable
CONTROL GEAR	: Driver Included

**REMARK** : Powered by OSRAM LED Chip , Low Harmonic

**LAMP & LIGHT**

Head Office : 2 Bangbon 4 Road, Soi 8, Bangbon, Bangkok, Thailand 10150

Tel. : 098-257-5229, Line ID : @Lampandlight, www.lampandlight.com