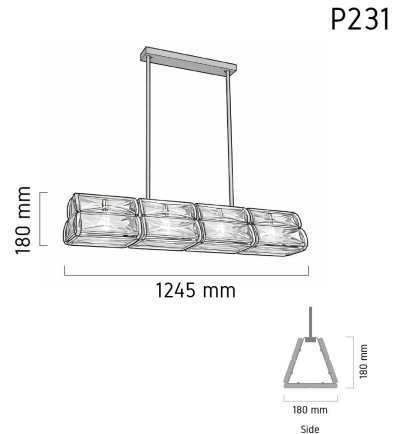
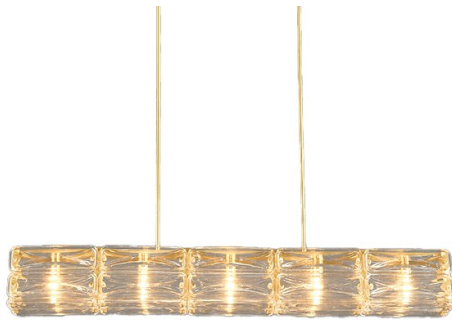


Product Images



Specification Details

PRODUCT	: Chandelier P 231
BRAND	: LAMP & LIGHT
DESCRIPTION	: Tracklights
DIMENSION	: L1,245 x W180 x H180 mm + Cable Length 500 mm
LAMP TYPE	: E14 x 5 pcs (Maximum : 8W (Prefer : 8 W))
COLOR	: Bronze,Amber
MATERIAL	: Glass,Metal
WEIGHT	: 6.000 kg
IP RATING	: IP 20
INSTALLATION	: Surface Mounted
CUT OUT SIZE	: -

Light Source Info

LIGHT COLOR CCT	: Depend On Bulb
POWER (WATT)	: Depend on Bulb
LUMEN	: Depend on Bulb
BEAM ANGLE	: Depend On Bulb
CRI	: Depend On Bulb
INPUT VOLTAGE	: Depend On Bulb
POWER FACTOR	: Depend On Bulb
AVG. LIFE TIME	: Depend On Bulb
DIMMABLE	: Depend On Bulb
CONTROL GEAR	:

REMARK :

LAMP & LIGHT

Head Office : 2 Bangbon 4 Road, Soi 8, Bangbon, Bangkok, Thailand 10150

Tel. : 098-257-5229, Line ID : @Lampandlight, www.lampandlight.com