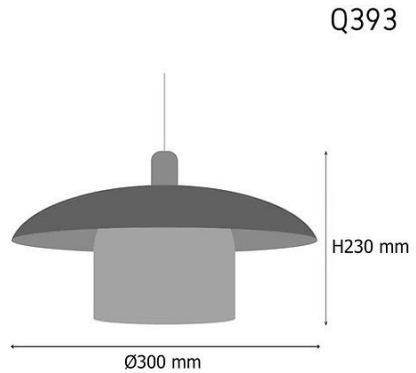


Product Images



Specification Details

PRODUCT	: Pendant Lamp Q393
BRAND	: LAMP & LIGHT
DESCRIPTION	: Pendant Lamp
DIMENSION	: L300 x W300 x H230 mm + Cable Length 1800 mm
LAMP TYPE	: E27 x 1 pcs (Maximum : 15W (Prefer : 12W))
COLOR	: White,Black
MATERIAL	: Glass
WEIGHT	: 2.800 kg
IP RATING	: IP 20
INSTALLATION	: Surface Mounted
CUT OUT SIZE	: -

Light Source Info

LIGHT COLOR CCT	: Depend On Bulb
POWER (WATT)	: -
LUMEN	: -
BEAM ANGLE	: Depend On Bulb
CRI	: Depend On Bulb
INPUT VOLTAGE	: Depend On Bulb
POWER FACTOR	: Depend On Bulb
AVG. LIFE TIME	: Depend On Bulb
DIMMABLE	: Depend On Bulb
CONTROL GEAR	:

REMARK :

LAMP & LIGHT

Head Office : 2 Bangbon 4 Road, Soi 8, Bangbon, Bangkok, Thailand 10150

Tel. : 098-257-5229, Line ID : @Lampandlight, www.lampandlight.com