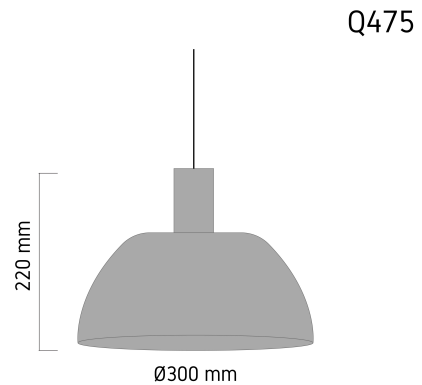


Product Images



Specification Details

| | |
|--------------|--|
| PRODUCT | : Pendant Lamp Q475 |
| BRAND | : LAMP & LIGHT |
| DESCRIPTION | : Pendant Lamp |
| DIMENSION | : L300 x W300 x H220 mm + Cable Length 2000 mm |
| LAMP TYPE | : E27 x 1 pcs (Maximum : 15W (Prefer LED Bulb E27 12W)) |
| COLOR | : Orange,White |
| MATERIAL | : Aluminium,Acrylic |
| WEIGHT | : 0.960 kg |
| IP RATING | : IP 20 |
| INSTALLATION | : Surface Mounted |
| CUT OUT SIZE | : - |

Light Source Info

| | |
|-----------------|------------------|
| LIGHT COLOR CCT | : Depend On Bulb |
| POWER (WATT) | : - |
| LUMEN | : - |
| BEAM ANGLE | : Depend On Bulb |
| CRI | : Depend On Bulb |
| INPUT VOLTAGE | : Depend On Bulb |
| POWER FACTOR | : Depend On Bulb |
| AVG. LIFE TIME | : Depend On Bulb |
| DIMMABLE | : Depend On Bulb |
| CONTROL GEAR | : |

REMARK :

LAMP & LIGHT

Head Office : 2 Bangbon 4 Road, Soi 8, Bangbon, Bangkok, Thailand 10150

Tel. : 098-257-5229, Line ID : @Lampandlight, www.lampandlight.com